



Lexmark XS950de

Elevate your productivity with the Lexmark XS950de, featuring print speed up to 45 ppm, high-performance A3 colour functionality, flexible features, easy-to-use workflow solutions and advanced security.

Part Number

3084916

Print Technology

Colour LED

Function

Colour Copying, Colour Faxing, Colour Printing, Color Scanning, Colour Network Scanning

Workgroup Size

Departmental Workgroup

Touch Screen Display

Yes

Display

Lexmark e-Task 10-inch (25 cm) class color touch screen

Print Speed (A4, Black)

Up to 45 ppm

Print Speed (A4, Colour)

Up to 40 ppm

Print Speed (A4, Black) Duplex

Up to 45 spm

Print Speed (A4, Colour) Duplex

Up to 40 spm

Time to First Page (Black)

As fast as 5.5 seconds

Time to First Page (Colour)

As fast as 7.7 seconds

Duplex (2-sided) Printing

Integrated Duplex

Print Resolution, Black

1200 x 1200 dpi, 2400 Image Quality

Print Resolution, Colour

1200 x 1200 dpi, 2400 Image Quality

Copy Speed (A4, Black)

Up to 45 cpm

Copy Speed (A4, Colour)

Up to 40 cpm

Copy Speed (A4, Black) Duplex

Up to 45 spm

Time to First Copy (Black)

As fast as 7.1 seconds

Time to First Copy (Colour)

As fast as 10.4 seconds

Reduce / Enlarge Range

25 - 400 %

A4/Ltr Simplex Scan Speed (Black)

Up to 68 / 70 Sides per minute

A4/Ltr Simplex Scan Speed (Colour)

Up to 53 / 53 Sides per minute

A4/Ltr Duplex Scan Speed (Black)

Up to 38 / 37 Sides per minute

A4/Ltr Duplex Scan Speed (Colour)

Up to 38 / 37 Sides per minute

Scan Area, Maximum (mm)

297 x 432 mm

ADF Scan

RADF (reversing Duplex)

Scanner Type

Flatbed scanner with ADF

Scan Technology

CCD

Optical Scanning Resolution

600 X 600 ppi

Scan File Formats (Send as)

JPEG, JPG, PDF, Secure PDF, TIFF, XPS, Archival PDF (A-1a, A-1b), Searchable PDF (optional OCR with 1GB RAM and hard disk required), Highly compressed PDF (1GB RAM and hard disk required)

Scan Destinations

e-mail, FTP, USB Flash drive, USB or Network connected computer, Lexmark Document Solutions Suite (LDSS)

Modem Speed

33.6 Kbps

Processor Speed

1.2 GHz

Memory, Standard

1024 MB

Memory, Maximum

2048 MB

Hard Disk

Included in configuration

Apple Operating Systems Supported

Apple OS X (10.5, 10.6, 10.7, 10.8, 10.9, 10.10)

Citrix MetaFrame

Microsoft Windows Server 2003 running Terminal Services with Citrix Presentation Server 3.0, 4.0, 4.5, Microsoft Windows Server 2003 and 2003 X64 Edition with Citrix XenApp 5.0, Microsoft Windows Server 2008 and 2008 X64 Edition with Citrix XenApp 5.0

Linux Operating Systems Supported

SUSE Linux Enterprise Server 10, 11, SUSE Linux Enterprise Desktop 10, 11, Red Hat Enterprise Linux WS 4.0, 5.0, Red Flag Linux Desktop 6.0, Linpus Linux Desktop 9.6, Ubuntu 9.04, 9.10, 10.04, 10.10, Debian GNU/Linux 5.0, 6.0, Ubuntu 11.04, 11.10, 12.04, 12.10, openSUSE 11.3, 11.4, 12.1, 12.2, Fedora 14, 15, 16, 17, Mint 10, 11, 12, 13

Microsoft Windows Operating Systems Supported

Windows XP, Windows Server 2003, Windows XP x64, Windows Server 2003 x64, Windows Vista, Windows Vista x64, Windows Server 2008, Windows Server 2008 x64, Windows 7, Windows 7 x64, Windows Server 2008 R2, Windows 8, Windows 8 x64, Windows Server 2012, Windows 8.1, Windows 8.1 x64, Windows Server 2012 R2, Windows RT, Windows RT 8.1

Novell Operating Systems Supported

Novell NetWare 6.5 Open Enterprise Server, Novell NetWare 5.1(SP 6+), 6.0(SP 3+) with Novell Distributed Print Services (NDPS), Novell Open Enterprise Server on SUSE Linux Enterprise Server

UNIX Operating Systems Supported

Sun Solaris SPARC 8, 9, 10, Sun Solaris x86 10, HP-UX 11.11, 11.23, 11.31, IBM AIX 5.3, 6.1, 7.1

Paper Handling Standard

500-Sheet Output Bin, Integrated Duplex, 100-Sheet Multipurpose Feeder, 520-Sheet Input Tray

Paper Handling Optional

Banner Media Tray, 2,000-Sheet High Capacity Feeder, 3,500-Sheet Finisher, 3 x 520-Sheet Drawer Stand, Booklet Finisher, 2,520-Sheet Tandem Tray Module, 520-Sheet Drawer Stand

Paper Input Capacity, Standard

Up to 620 pages 75 gsm bond

Paper Input Capacity, Maximum

Up to 5140 pages 75 gsm bond

Paper Output Capacity, Standard

Up to 500 pages 75 gsm bond

Paper Output Capacity, Maximum

Up to 3750 pages 75 gsm bond

Paper Weight Range Supported - Standard Tray (gsm)

60 - 256 gsm

A3

Yes

ADF

110-Sheet Automatic Document Feeder

ADF Paper Input Capacity

Up to 110 pages 75 gsm bond

ADF Paper Output Capacity

Up to 110 pages 75 gsm bond

Finishing Option

Yes

Number of Paper Inputs, Standard

2

Number of Paper Inputs, Maximum

6

Media Types Supported

Card Stock, Envelopes, Glossy paper, Labels, Plain Paper, Transparencies, Refer to the Card Stock & Label Guide.

Media Sizes Supported

10 Envelope, 7 3/4 Envelope, A3, A4, A5, C5 Envelope, DL Envelope, Executive, Folio, JIS-B4, JIS-B5, Ledger, Legal, Letter, Statement, Universal, Super Tabloid (305 x 457 mm), Oficio, A6

Standard Ports

USB 2.0 Specification Hi-Speed Certified (Type B), Front USB 2.0 Specification Hi-Speed Certified port (Type A), Rear USB 2.0 Specification Hi-Speed Certified port (Type A), Ethernet 10/100/1000 BaseTX (RJ-45)

Optional Local Ports

Internal RS-232C serial, Internal 1284-B Bidirectional Parallel

Optional Network Ports

Internal MarkNet™ N8130 Fiber Fast Ethernet, Internal MarkNet™ N8250 802.11b/g/n Wireless

Direct USB

Yes

Ethernet Network

Yes

Network Protocol Support

TCP/IP IPv4, AppleTalk™, TCP/IP IPv6, TCP, UDP

Network Printing Methods

LPR/LPD, Direct IP (Port 9100), HTTP, NDPS/NEPS (Novell Distributed Print Services, Novell Netware Enterprise Print Services), Enhanced IP (Port 9400), FTP, TFTP, IPP 1.1 (Internet Printing Protocol), ThinPrint .print integration

Network Management Protocols²

HTTP, HTTPS (SSL/TLS), SNMPv3, WINS, IGMP, BOOTP, RARP, APIPA (AutoIP), DHCP, ICMP, DNS, SNMPv2c, Bonjour, DDNS, mDNS, ARP, NTP, Telnet, Finger,

Network Security

SNMPv3, 802.1x Authentication: MD5, MSCHAPv2, LEAP, PEAP, TLS, TTLS, IPsec

Printable Area (metric)

4.2 mm of the top, bottom, right and left edges (within)

Printer Languages (Standard)

PCL 5c Emulation, PCL 6 Emulation, Personal Printer Data Stream (PPDS), PostScript 3 Emulation, xHTML, PDF 1.6 Emulation, Direct Image, Microsoft XPS (XML Paper Specification), AirPrint™

Fonts and Symbol Sets

3 of 9 scalable PCL 5e fonts in Narrow, Regular and Wide, 158 scalable PostScript fonts, 2 PCL bitmap fonts, 39 scalable PPDS fonts, 5 PPDS bitmap fonts, 84 scalable PCL fonts, OCR-A, OCR-B scalable PCL 5e fonts, For more information, refer to the Technical Reference.

Supplies Yield¹

22,000-page Colour (CMY) Toner Cartridges, 32,000-page Black Toner Cartridge

Photoconductor Estimated Yield

Up to 115000 pages, based on 3 average letter/A4-size pages per print job and ~ 5% coverage⁵

Cartridge(s) Shipping with Product

11,000-page Colour (CMY) Starter Toner Cartridges, 16,000-page Black Starter Toner Cartridge

Packaged Size (mm - H x W x D)

870 x 848 x 769 mm

Packaged Weight (kg)

125.0 kg

Size (mm - H x W x D)

762 x 640 x 685 mm

Weight (kg)

116.0 kg

Size, Trays Extended (mm - H x W x D)

1098 x 640 x 1108 mm

Noise Level, Idle

24 dBA

Noise Level (Print), Operating

52 dBA

Duplex Print Noise Level, Operating

54 dBA

Noise Level (Copy), Operating

55 dBA

Noise Level (Scan), Operating

55 dBA

ENERGY STAR

Yes

Average Power (Hibernate Mode)

1 watts

Average Power (Sleep Mode)

16.5 watts

Average Power (Printing)

675 watts

Average Power while Printing Duplex

650 watts

Average Power (Copying)

810 watts

Average Power (Scanning)

125 watts

ENERGY STAR Typical Electricity**Consumption (TEC)**

6.2 kilowatt-hours per week

Product Guarantee

1-year Onsite Service + 3-years Parts Only guarantee (Maintenance Kit included)

Product Certifications

ENERGY STAR, CAN/CSA-C22.2 60950-1-07, ICES-003 Class A, BSMI Class A, CNS 13438 and 14336, VCCI Class A, FCC Class A, UL 60950-1, EN/IEC 60320-1, NOM-019-SCFI-1998, CB IEC 60950-1, EN 60950-1, EN/IEC 61000-3, EN 55022 Class A, EN 55024, GS (TÜV), SAT, SABS, ZIK, KPSIM, Bel GISS, GOST-R 'Cpt' Mark, N Mark, IRAM, CS, TÜV Rh, ACMA A-tick mark Class A, AS/NZS 60950-1, CCC Class A, GB4943, CISPIR 22 Class A, MIC Mark, EK-K60950, PSB-SS 337

Maximum Monthly Duty Cycle

Up to 200000 pages per month⁴

Recommended Monthly Page Volume

5000 - 33000 pages³

Specified Operating Environment

Altitude: 0 - 2500 Meters (8,200 Feet), Temperature: 10 to 32°C, Humidity: 15 to 85% Relative Humidity

Country of Origin

China (PR)

UNSPSC Code

43212110

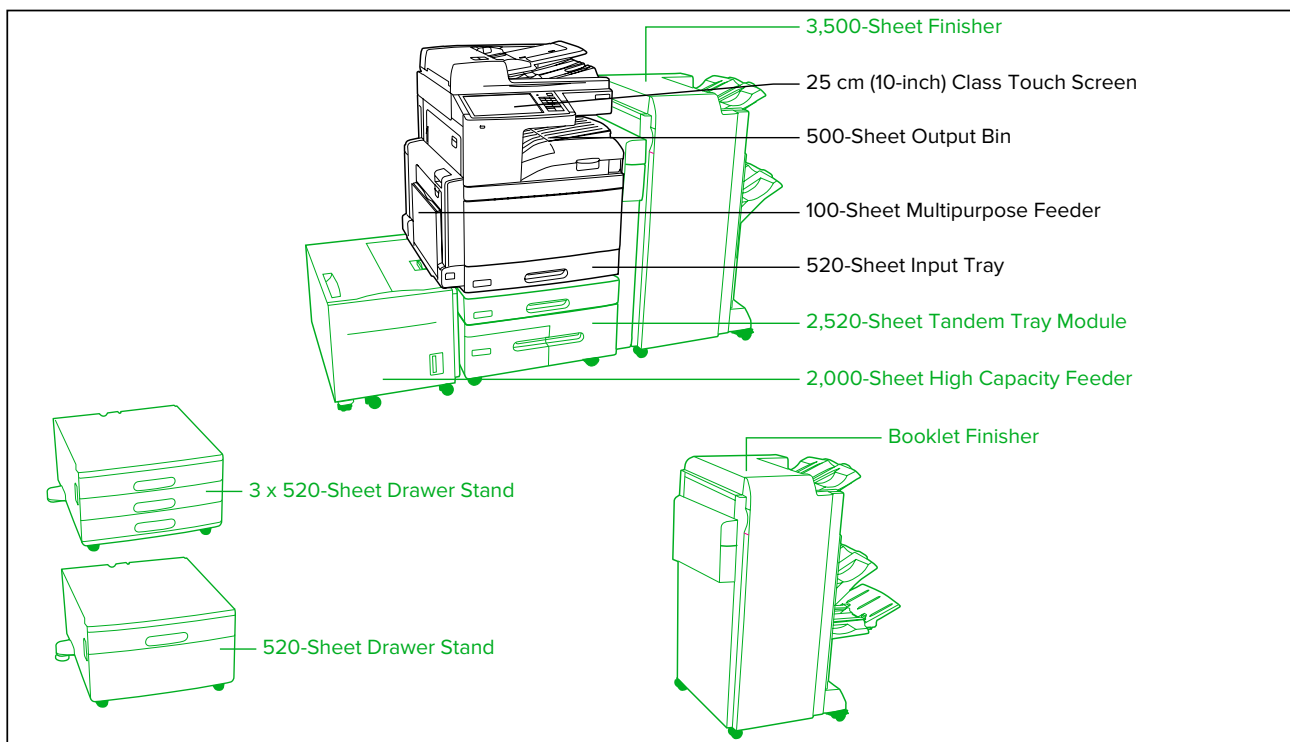
¹Yield at approximately 5% coverage per colour

²This product includes software developed by the OpenSSL Project for use in the OpenSSL Toolkit. (<http://www.openssl.org/>)

³"Recommended Monthly Page Volume" is a range of pages that helps customers evaluate Lexmark's product offerings based on the average number of pages customers plan to print on the device each month. Lexmark recommends that the number of pages per month be within the stated range for optimum device performance, based on factors including: supplies replacement intervals, paper loading intervals, speed, and typical customer usage.

⁴"Maximum Monthly Duty Cycle" is defined as the maximum number of pages a device could deliver in a month using a multishift operation. This metric provides a comparison of robustness in relation to other Lexmark printers and MFPs.

⁵Actual Yield may vary based on other factors such as device speed, paper size and feed orientation, toner coverage, tray source, percentage of black-only printing and average print job complexity.



■ Standard

■ Optional

P/N	Toner Cartridges	P/N	Application Solutions	P/N	Service Parts
25A0013	Staple Cartridges (3 pack)	57X9000	Lexmark PrintCryption Card	40X6824	X95x ADF feed /pick roller assembly
21Z0357	Saddle Staple Cartridges (4 pack)	22Z0186	X950, X952, X954 Card for IPDS		
C950X71G	C950, X950/2/4 Photoconductor Unit 1-Pack	22Z0187	X950, X952, X954 Card for PRESCRIBE Emulation		
C950X76G	C950, X950/2/4 Waste Toner Bottle	22Z0185	X950, X952, X954 Forms and Bar Code Card		
C950X73G	C950, X950/2/4 Photoconductor Unit 3-Pack				
22Z0008	XS955 Black Extra High Yield Toner Cartridge (32K)	P/N	Connectivity		
22Z0009	XS955 Cyan Extra High Yield Toner Cartridge (22K)	1021231	Parallel (10') Cable		
22Z0010	XS955 Magenta Extra High Yield Toner Cartridge (22K)	1021294	USB (2 Meter) Cable		
22Z0011	XS955 Yellow Extra High Yield Toner Cartridge (22K)	14F0100	RS-232C Serial Interface Card		
		14F0000	Parallel 1284-B Interface Card		
		14F0042	MarkNet N8130 Fiber Ethernet		
		27X0225	100BaseFX, 10BaseFL Print Server		
			MarkNet N8350 802.11b/g/n Wireless Print Server		
		SPD0002	Surge Protective Device, 220-240V		
P/N	Paper Handling	P/N	Extended Warranties		
22Z0014	C950, X95x 2520-Sheet Tandem Tray Module	2359559	XS950 1-Year Renewal Parts Only Guarantee with Maintenance kit		
22Z0013	C950, X95x 3x520-Sheet Drawer Stand	2359890	XS950 Upgrade to Parts and Labour, Total 4 years (1+3)		
22Z0012	C950, X95x 520-Sheet Drawer Stand	2359892	XS950 1-Year Renewal Parts and Labour with Maintenance kit		
22Z0015	C950, X95x 2000-Sheet High Capacity Feeder	2359332	XS950 Upgrade to Onsite Service, Total 4 years (1+3)		
22Z0175	C950, X95x 3500-Sheet Finisher (4-Hole)	2359608	XS950 1-Year Renewal Onsite Service with Maintenance kit		
22Z0176	C950, X95x Booklet Finisher (4-Hole)				
22Z0205	C950, X95x Banner Media Tray				
P/N	Memory Options	P/N	User Replaceable Parts		
1025041	256MB DDR2-DRAM	40X7569	C950, X95x Fuser Maintenance Kit, 320K, 220-240V		
1025042	512MB DDR2-DRAM	40X7540	C950, X95x 160K Maintenance Kit		
1025043	1024MB DDR2-DRAM	40X7530	X95x ADF Maintenance Kit		
14F0245	256MB Flash Card	40X7560	C950, X95x 480K Maintenance Kit		
30G0825	Korean Font Card				
30G0828	Japanese Font Card				
30G0827	Traditional Chinese Font Card				
30G0826	Simplified Chinese Font Card	P/N	Installation Service		
30G0287	Arabic Font Card	2355255	Standard Installation Service		
57X0070	Removable Hard Disk Enclosure Kit				